

LGMG

SR2669D

DIESEL RT SCISSOR LIFT

- Larger work platform with high capacity offers great productivity.
- Powerful diesel engine, oscillating axels and four-wheel drive provides better performance on most rough terrain job sites.
- The overload system and motion alarm help the operator to complete the job in a much safer way.
- Pull-out engine tray for easy access and maintenance.
- On-board self-diagnosis system makes it easier for quick troubleshooting.



LGMG DIESEL RT Scissor Lift

SPECIFICATIONS

| MODELS | SR2669D (SR0818D) | |
|---|---------------------|--------------|
| Measurements | Imperial | Metric |
| Work Height Max. | 31'10" | 9.7m |
| A Platform Height - Raised | 25'3" | 7.7m |
| B Platform Height - Stowed | 4'8" | 1.41m |
| C Platform Length | 9'2" | 2.79m |
| D Platform Width | 5'3" | 1.6m |
| E Overall Length (with ladder) * | 10'2"/12'4" | 3.11 / 3.76m |
| F Overall Width | 5'10" | 1.79m |
| G Overall Height - Rails up | 8'6" | 2.58m |
| Overall Height - Rails down | 6'2" | 1.89m |
| H Extension Deck | 5' | 1.52m |
| I Wheelbase | 7'6" | 2.29m |
| Ground Clearance-Center | 9" | 0.23m |

PRODUCTIVITY

| | | |
|-------------------------------|------------------|-----------|
| Max. Platform Occupancy | 4 (in) / 4 (out) | |
| Platform Capacity | 1499 lbs | 680kg |
| Platform Capacity - Extension | 310 lbs | 140kg |
| Drive Height | Full Height | |
| Gradeability - Stowed | 40% | |
| Min. Turning Radius | 15'7" | 4.75m |
| Raise/Lower Speed | 35 / 30s | |
| Brakes | Four-wheel brake | |
| Drive Mode | 4x4 | |
| Tire Type | RT Foam-filled | |
| Tire Size | 26"x11" | 663x283mm |

POWER

| | | |
|--------------------|----------------------------|-----|
| Power Source | Kubota D1105 18.5kw/24.8hp | |
| Fuel Tank Capacity | 14gal | 53L |

HYDRAULIC SYSTEM

| | | |
|----------------------|----------|-----|
| Hydraulic Oil Volume | 13.21gal | 50L |
|----------------------|----------|-----|

WEIGHT

| | | |
|---|----------|--------|
| Machine Weight with Outriggers (CE/ANSI) ** | 9193 lbs | 4170kg |
| Machine Weight without Outriggers (CE/ANSI) | 8157 lbs | 3700kg |

* Overall length without outriggers is 10'2" (3.11m), with outriggers is 12'4" (3.76m).
 ** Hydraulic outriggers are optional for SR2669D.

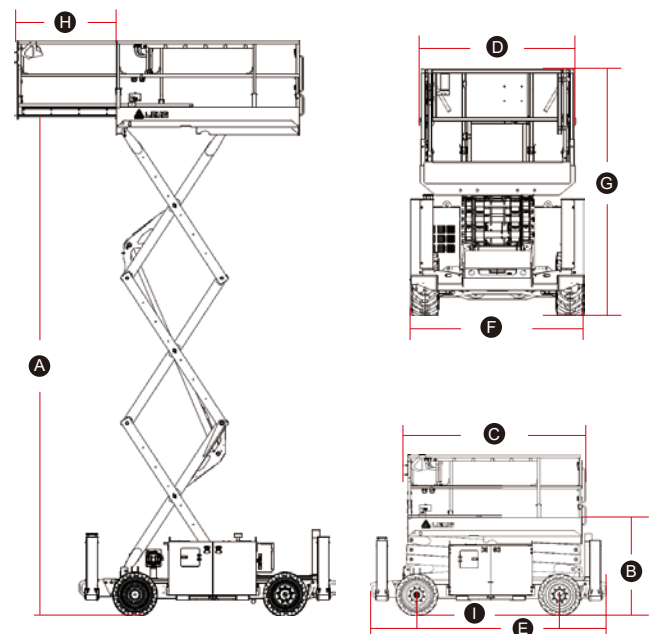
Please contact LGMG or a local dealer for more details.
 LGMG reserves the right to change technical data without prior notice. All photos and pictures in this brochure are for promotional purposes only.
 This brochure comes into effect in May, 2023.

STANDARD FEATURES

| | |
|----------------------|------------------------------------|
| Proportional control | Emergency stop device |
| Foldable guardrail | Manual brake release |
| Emergency descent | Tilt alarm with lift cut-out |
| Oscillating axle | Overload sensing system |
| Self-lock entry gate | Intelligent diagnostic system |
| All motions alarm | Descent alarm with flashing beacon |
| RT Foam-filled tires | |

OPTIONAL

| | |
|--------------------------|-------------------------------|
| Telematics | Solid tires |
| AC power to platform | Solid non-marking tires |
| Auto-leveling outriggers | Foam-filled non-marking tires |
| Cold weather package | Biodegradable hydraulic oil |



LINGONG HEAVY MACHINERY CO., LTD.

Address: No. 2676, Kejia Road, Jinan, Shandong, China
 Email: sales@lmgm.com.cn Tel: +86 531 6787 9283

LGMG Europe B.V.

Address: Donker Duyvisweg 301, 3316 BL Dordrecht, The Netherlands
 Email: sales@lmgmeurope.com Tel: +31 850 642 777

LGMG North America Inc.

Address: 4105 Live Oak Drive, Suite 100, The Colony, Texas 75056 United States
 Email: sales@lmgmna.com Tel: +1 833 288 5464

www.lmgmlifts.com



LGMG
 RELIABILITY IN ACTION